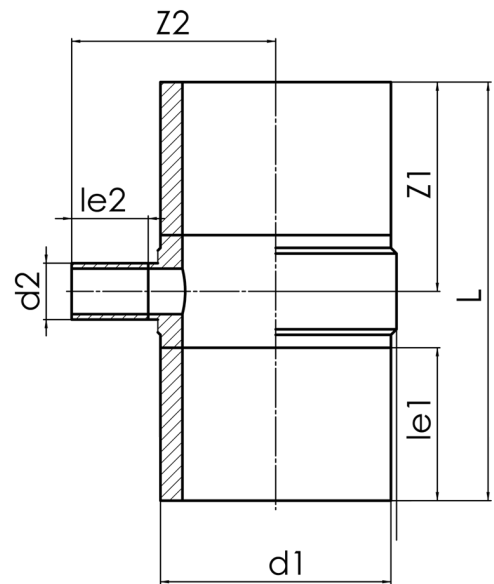


TEE REDUCED



long spigot for butt- and electrofusion welding

PE100-RC



SDR 9



| Art. No. | d1 [mm] | d2 [mm] | le1 [mm] | le2 [mm] | L [mm] | z1 [mm] | z2 [mm] | kg |
|------------------|------------|------------|-------------|-------------|-----------|------------|------------|-------|
| 4332300902500075 | 250 | 75 | 250 | 100 | 690 | 345 | 256 | 14,36 |

Other materials, dimensions and pressure classes on request

For questions, please feel free to contact us at: Tel. + 49 281 98 414 - 0