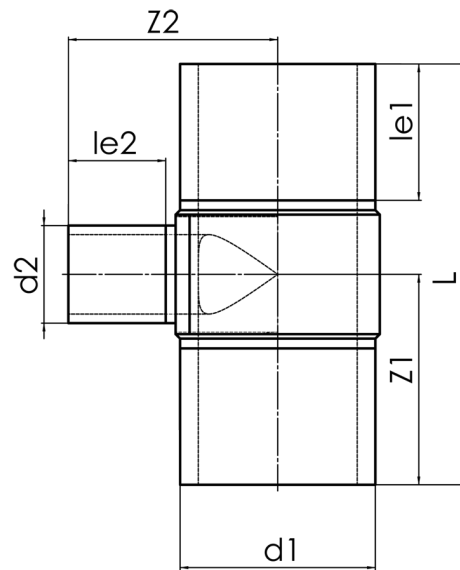
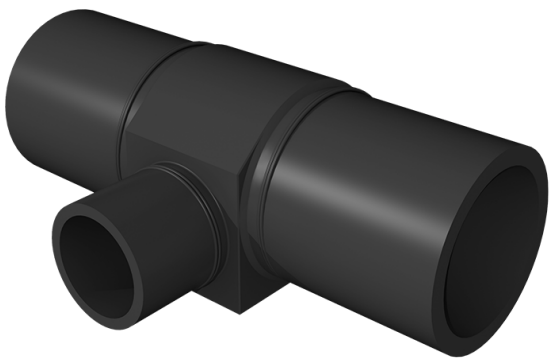


TECHNICAL DATA SHEET
TEE ECCENTRIC



long spigot for butt- and electrofusion welding
 to completely drain the pipeline

PE100-RC



SDR 17



| Art. No. | d1 [mm] | d2 [mm] | le1 [mm] | le2 [mm] | L [mm] | z1 [mm] | z2 [mm] | kg |
|------------------|------------|------------|-------------|-------------|-----------|------------|------------|------|
| 4332311705000400 | 500 | 400 | 350 | 300 | 1215 | 608 | 590 | 72,3 |

Other materials, dimensions and pressure classes on request

For questions, please feel free to contact us at: Tel. + 49 281 98 414 - 0