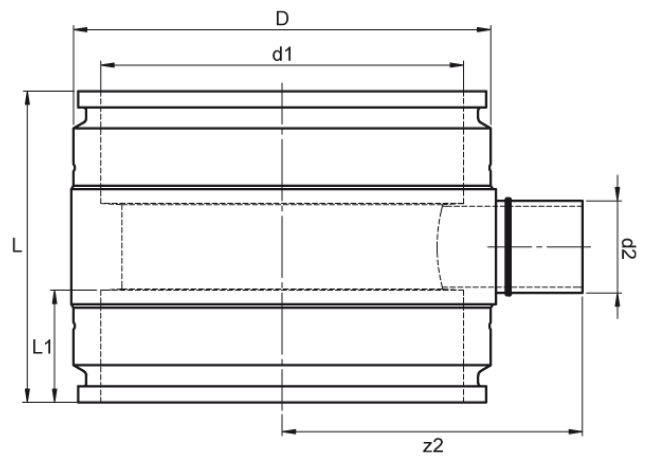


ELECTROFUSION TEE REDUCED



two separate welding zones from d 200 mm
4,0 mm pin

PE100-RC



SDR 11



| Art. No. | d1 [mm] | d2 [mm] | D [mm] | le2 [mm] | L [mm] | L1 [mm] | z2 [mm] | kg |
|------------------|------------|------------|-----------|-------------|-----------|------------|------------|------|
| 4332701104000110 | 400 | 110 | 499 | 150 | 440 | 165 | 430 | 36,2 |

Other materials, dimensions and pressure classes on request

For questions, please feel free to contact us at: Tel. + 49 281 98 414 - 0