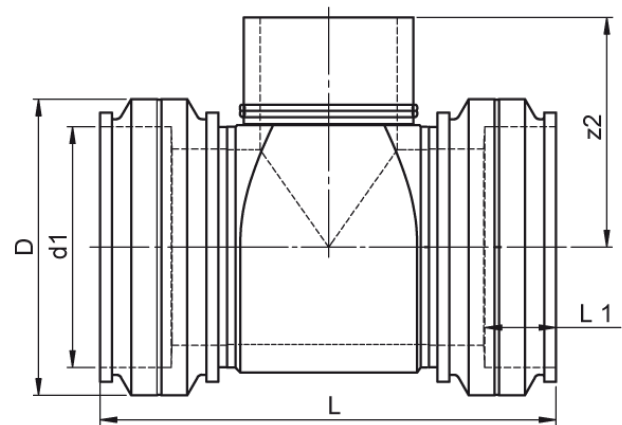


# ELECTROFUSION TEE REDUCED



two separate welding zones  
4,0 mm pin

PE100-RC



## SDR 17



| Art. No.         | d1<br>[mm] | d2<br>[mm] | D<br>[mm] | le2<br>[mm] | L<br>[mm] | L1<br>[mm] | z2<br>[mm] | kg    |
|------------------|------------|------------|-----------|-------------|-----------|------------|------------|-------|
| 4332701709000630 | 900        | 630        | 1035      | 350         | 1565      | 260        | 350        | 335,6 |

Other materials, dimensions and pressure classes on request

For questions, please feel free to contact us at: Tel. + 49 281 98 414 - 0