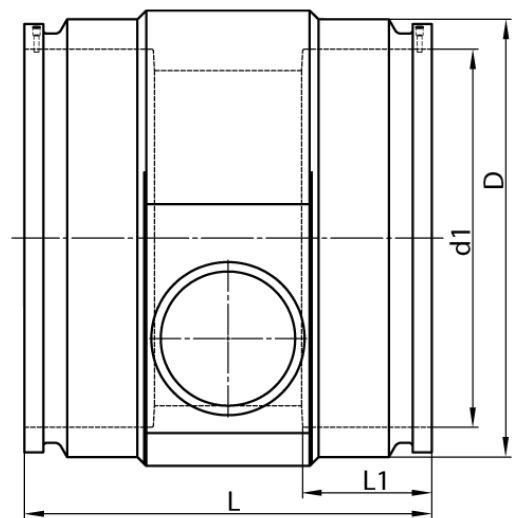


ELECTROFUSION TEE ECCENTRIC



4,0 mm pin
to completely drain the pipeline

PE100-RC



SDR 17

| Art. No. | d1 [mm] | d2 [mm] | D [mm] | le2 [mm] | L [mm] | L1 [mm] | z2 [mm] | kg |
|------------------|------------|------------|-----------|-------------|-----------|------------|------------|------|
| 4332711706300180 | 630 | 180 | 724 | 150 | 610 | 215 | 551 | 77,1 |

Other materials, dimensions and pressure classes on request

For questions, please feel free to contact us at: Tel. + 49 281 98 414 - 0