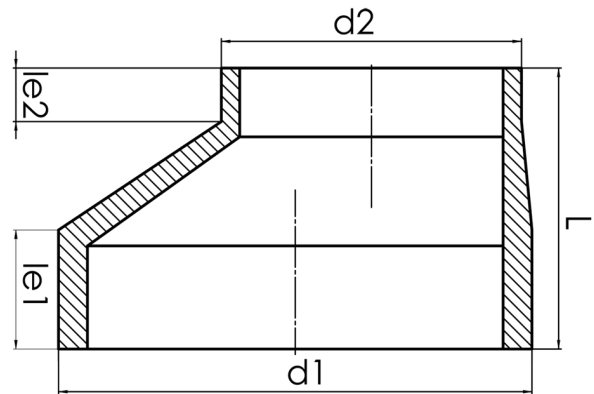


REDUCER ECCENTRIC



short spigot for butt welding
to completely drain the pipeline

PE100-RC



SDR 11



| Art. No. | d1 [mm] | d2 [mm] | le1 [mm] | le2 [mm] | L [mm] | kg |
|------------------|------------|------------|-------------|-------------|-----------|----|
| 4334111105600450 | 560 | 450 | 101 | 40 | 210 | 16 |

Other materials, dimensions and pressure classes on request

For questions, please feel free to contact us at: Tel. + 49 281 98 414 - 0