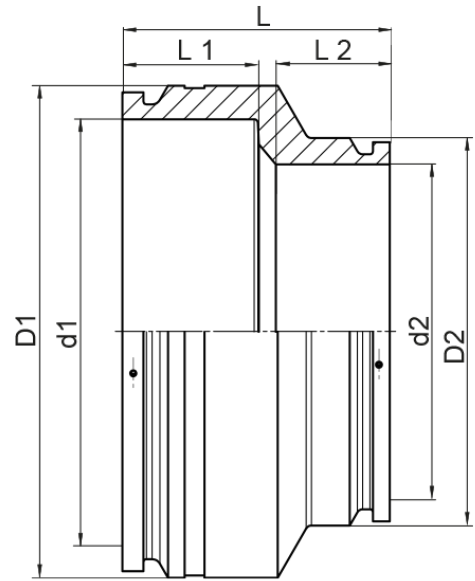
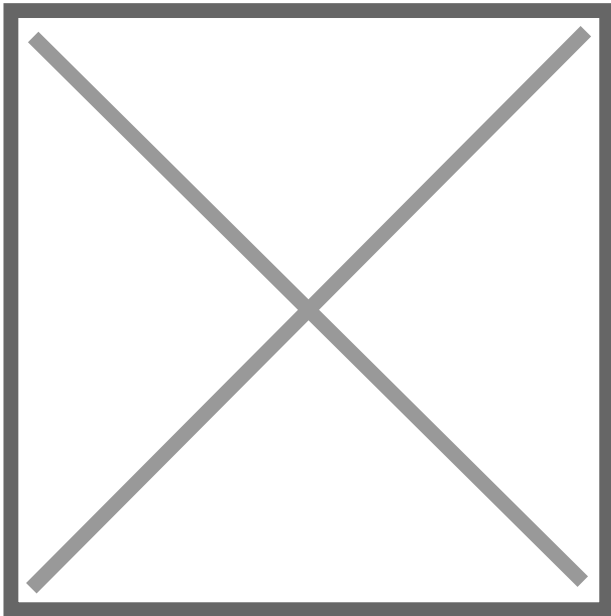


two separate welding zones
4,0 mm pin

PE100-RC



SDR 11



| Art. No. | d1 [mm] | d2 [mm] | D1 [mm] | D2 [mm] | L [mm] | L1 [mm] | L2 [mm] | kg |
|------------------|------------|------------|------------|------------|-----------|------------|------------|-----|
| 4334561102800250 | 280 | 250 | 345 | 308 | 240 | 120 | 120 | 6,4 |

Other materials, dimensions and pressure classes on request

For questions, please feel free to contact us at: Tel. + 49 281 98 414 - 0