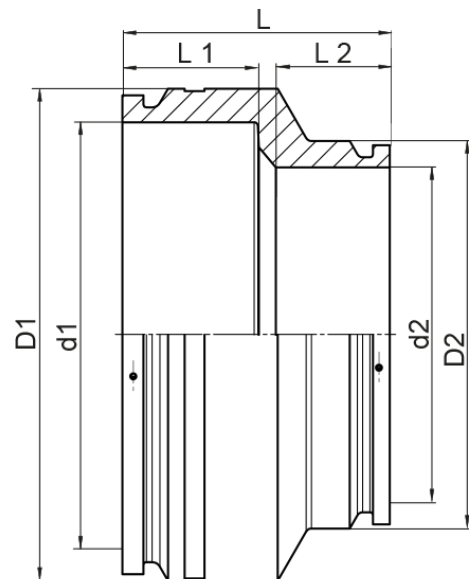
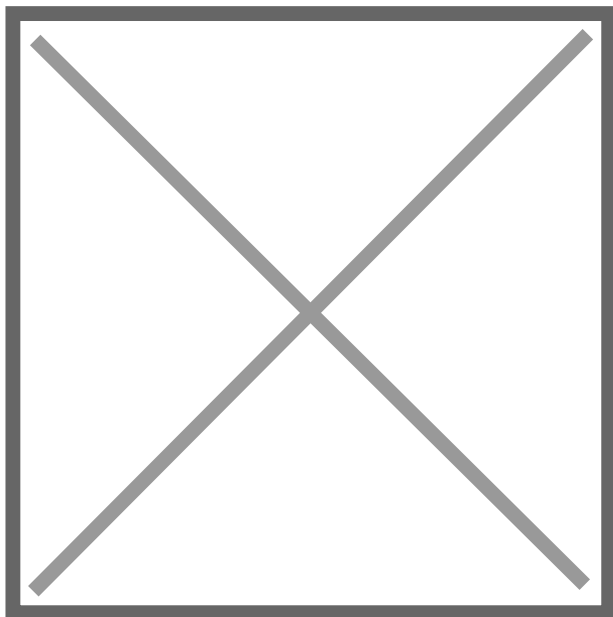


two separate welding zones  
4,0 mm pin

PE100-RC



**SDR 11**



Art. No.	d1 [mm]	d2 [mm]	D1 [mm]	D2 [mm]	L [mm]	L1 [mm]	L2 [mm]	kg
4334561108000710	800	710	993	882	530	235	225	108,24

Other materials, dimensions and pressure classes on request

For questions, please feel free to contact us at: Tel. + 49 281 98 414 - 0