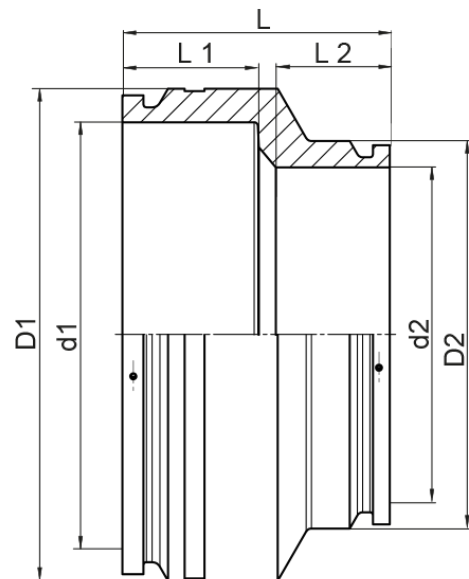


# ELECTROFUSION REDUCER



two separate welding zones  
4,0 mm pin

PE100-RC



## SDR 17



| Art. No.         | d1<br>[mm] | d2<br>[mm] | D1<br>[mm] | D2<br>[mm] | L<br>[mm] | L1<br>[mm] | L2<br>[mm] | kg    |
|------------------|------------|------------|------------|------------|-----------|------------|------------|-------|
| 4334561707100630 | 710        | 630        | 819        | 724        | 440       | 225        | 215        | 49,81 |

Other materials, dimensions and pressure classes on request

For questions, please feel free to contact us at: Tel. + 49 281 98 414 - 0