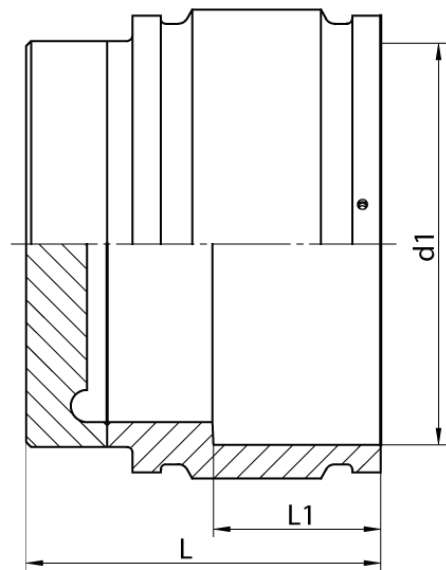


ELECTROFUSION END CAP



4,0 mm pin

PE100-RC



SDR 11



| Art. No. | d1 [mm] | D [mm] | L [mm] | L1 [mm] | kg |
|------------------|------------|-----------|-----------|------------|-------|
| 4334591105000000 | 500 | 621 | 405 | 175 | 46,09 |

Other materials, dimensions and pressure classes on request

For questions, please feel free to contact us at: Tel. + 49 281 98 414 - 0