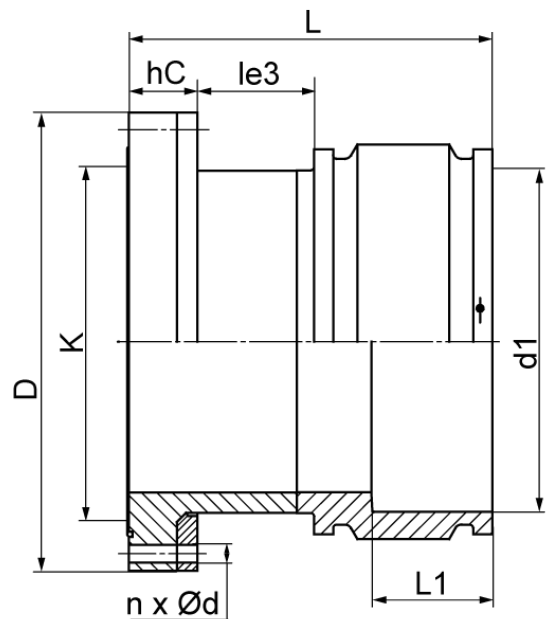


ELECTROFUSION FULL FACE FLANGE



drilled according to DIN EN 1092-1 PN 10
 with EPDM-O-ring gasket and backing ring steel plastic coated
 optional with steel hot-dip galvanized or stainless steel backing ring
 4,0 mm pin

PE100-RC



SDR 11



Art. No.	DN [mm]	d1 [mm]	D [mm]	le3 [mm]	L [mm]	L1 [mm]	K [mm]	n	Ød [mm]	hC [mm]	kg
4335451102800250	250	280	395	150	370	120	350	12	22	60	20

Other materials, dimensions and pressure classes on request

For questions, please feel free to contact us at: Tel. + 49 281 98
 414 - 0