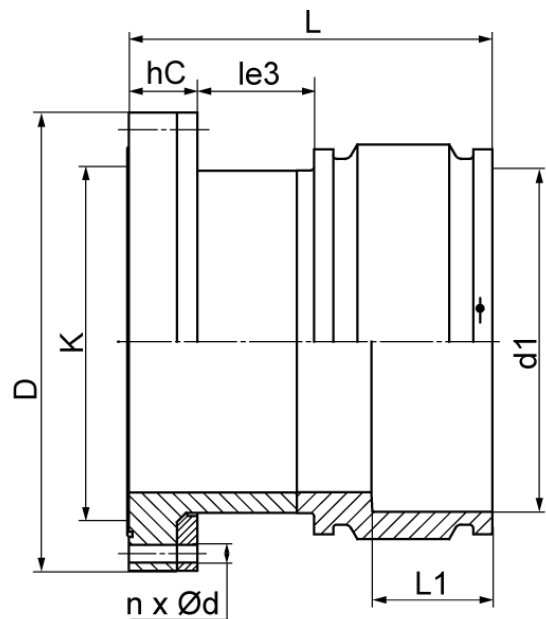


ELECTROFUSION FULL FACE FLANGE



drilled according to DIN EN 1092-1 PN 10
 with EPDM-O-ring gasket and backing ring steel plastic coated
 optional with steel hot-dip galvanized or stainless steel backing ring
 4,0 mm pin

PE100-RC



SDR 11



Art. No.	DN [mm]	d1 [mm]	D [mm]	le3 [mm]	L [mm]	L1 [mm]	z1 [mm]	K [mm]	n	??d [mm]	hC [mm]	kg
4335451106300600	600	630	780	180	645	215		725	20	30	120	138,00

Other materials, dimensions and pressure classes
 on request

For questions, please feel free to contact us at: Tel.
 + 49 281 98 414 - 0