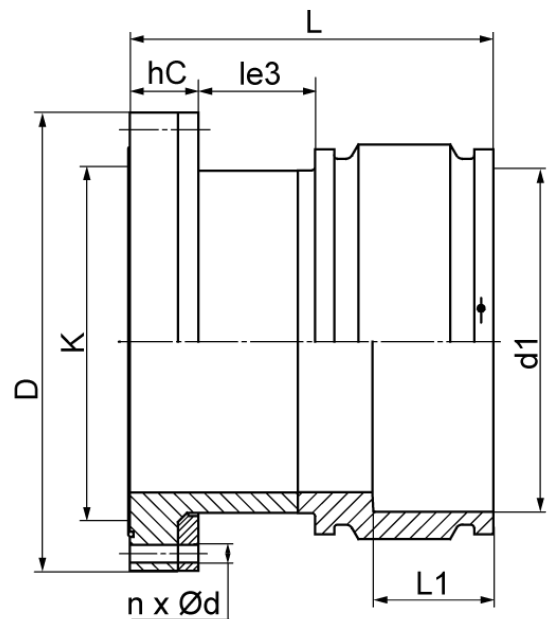


# ELECTROFUSION FULL FACE FLANGE



drilled according to DIN EN 1092-1 PN 16  
 with EPDM-O-ring gasket and backing ring steel plastic coated  
 optional with steel hot-dip galvanized or stainless steel backing ring  
 4,0 mm pin

PE100-RC



## SDR 11



| Art. No.         | DN<br>[mm] | d1<br>[mm] | D<br>[mm] | le3<br>[mm] | L<br>[mm] | L1<br>[mm] | K<br>[mm] | n  | ??d<br>[mm] | hC<br>[mm] | kg   |
|------------------|------------|------------|-----------|-------------|-----------|------------|-----------|----|-------------|------------|------|
| 4335551104000400 | 400        | 400        | 580       | 160         | 535       | 165        | 525       | 16 | 30          | 105        | 69,3 |

Other materials, dimensions and pressure classes on request

For questions, please feel free to contact us at: Tel. + 49 281  
 98 414 - 0