

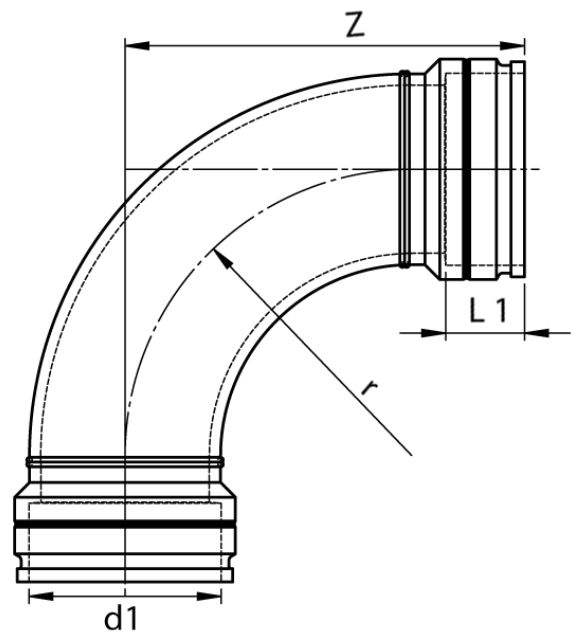
ELECTROFUSION BEND



90°

$r \approx 1,5 \times d$
two separate welding zones
4,0 mm pin

PE100-RC



SDR 11



| Art. No. | d1 [mm] | L1 [mm] | z1 [mm] | r [mm] | kg |
|------------------|------------|------------|------------|-----------|------|
| 4336191102800000 | 280 | 120 | 685 | 420 | 27,8 |

tolerance: $\alpha \pm 5^\circ$ | $z1 \pm 50$ mm

Other materials, dimensions and pressure classes on request

For questions, please feel free to contact us at: Tel. + 49 281 98 414 - 0