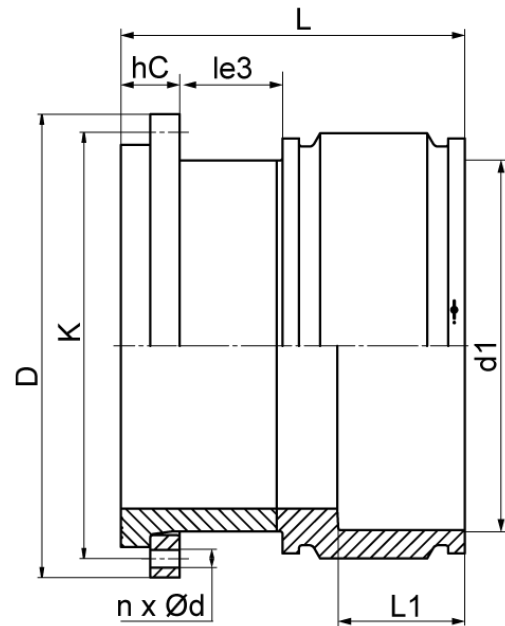


ELECTROFUSION STUB END



drilled according to DIN EN 1092-1 PN 10
4,0 mm pin

PE100-RC



SDR 17



Art. No.	DN [mm]	d1 [mm]	D [mm]	le3 [mm]	L [mm]	L1 [mm]	K [mm]	n	??d [mm]	hC [mm]	kg
4336201709000000	900	900	1115	188	685	260	1050	28	33	122	252,88

Other materials, dimensions and pressure classes on request

For questions, please feel free to contact us at: Tel. + 49
281 98 414 - 0