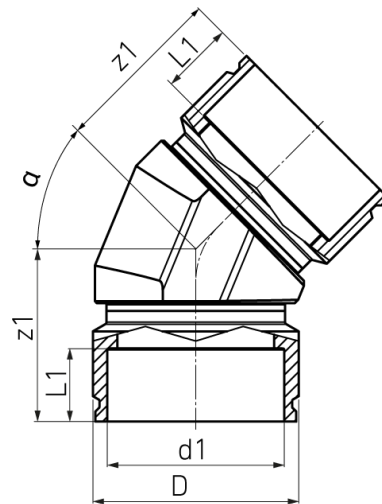


two separate welding zones from d 200 mm
4,0 mm pin

PE100-RC



SDR 11



| Art. No. | d1 [mm] | D [mm] | L1 [mm] | z1 [mm] | kg |
|------------------|------------|-----------|------------|------------|-------|
| 4336341109000000 | 900 | 1115 | 260 | 750 | 464,9 |

Tolerance: $\alpha \pm 2^\circ$

Other materials, dimensions and pressure classes on request

For questions, please feel free to contact us at: Tel. + 49 281 98 414 - 0