

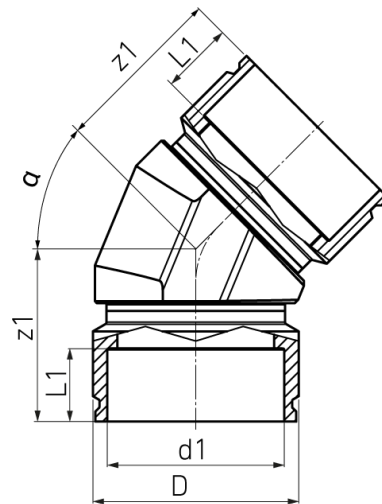
ELECTROFUSION ELBOW



45°

two separate welding zones from d 200 mm
4,0 mm pin

PE100-RC



SDR 11



| Art. No. | d1 [mm] | D [mm] | L1 [mm] | z1 [mm] | kg |
|------------------|------------|-----------|------------|------------|-----|
| 4336341110000000 | 1000 | 1238 | 285 | 811 | 615 |

Tolerance: $\alpha \pm 2^\circ$

Other materials, dimensions and pressure classes on request

For questions, please feel free to contact us at: Tel. + 49 281 98 414 - 0