

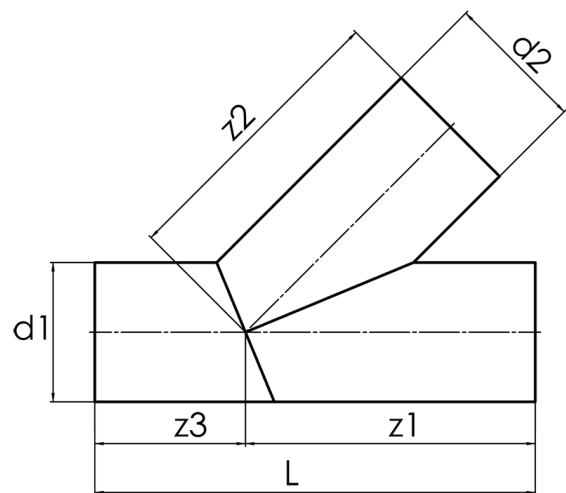
TECHNICAL DATA SHEET
BRANCH EQUAL



60°

long spigot for butt- and electrofusion welding
 welded from pipe, non-reinforced

PE100-RC



SDR 17



| Art. No. | d1 [mm] | d2 [mm] | L [mm] | z1 [mm] | z2 [mm] | z3 [mm] | kg |
|------------------|------------|------------|-----------|------------|------------|------------|-----|
| 4342861701400140 | 140 | 140 | 561 | 321 | 321 | 240 | 2,6 |

Other materials, dimensions and pressure classes on request
 tolerance + / - 2°

For questions, please feel free to contact us at: Tel. + 49 281 98 414 - 0