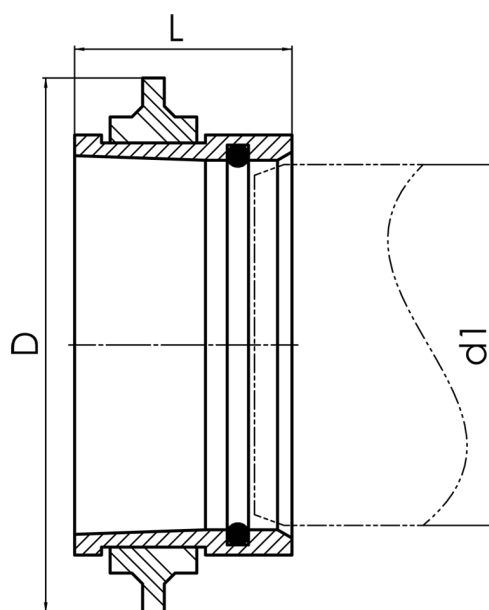


to be concret-casted into masonry
with mounted EPDM pipe collar seal

PE100-RC



| Art. No. | d1 [mm] | D [mm] | L [mm] | kg |
|------------------|------------|-----------|-----------|-----|
| 4346010001800150 | 180 | 300 | 150 | 0,7 |

For questions, please feel free to contact us at: Tel. + 49 281 98 414 - 0