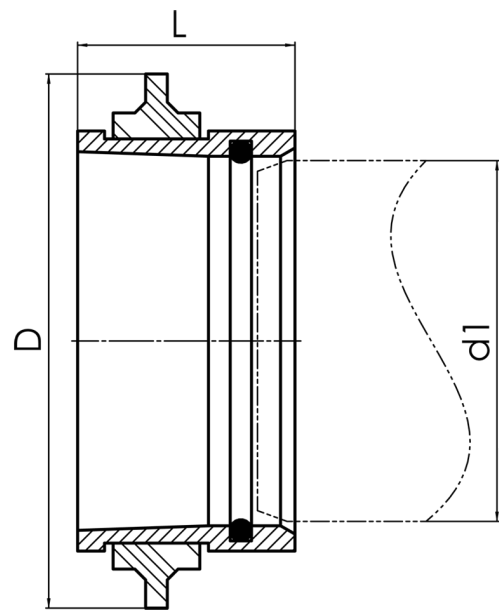
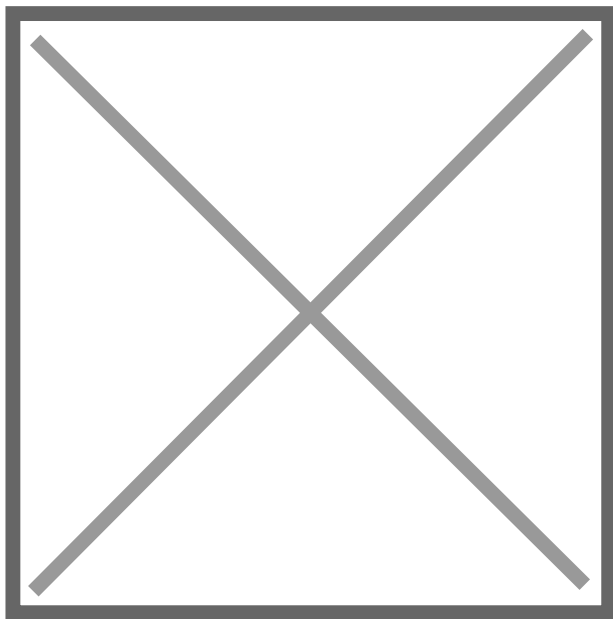


to be concret-casted into masonry  
with mounted EPDM pipe collar seal

PE100-RC



| Art. No.         | d1<br>[mm] | D<br>[mm] | L<br>[mm] | kg  |
|------------------|------------|-----------|-----------|-----|
| 4346010003550150 | 355        | 500       | 150       | 3,5 |

For questions, please feel free to contact us at: Tel. + 49 281 98 414 - 0