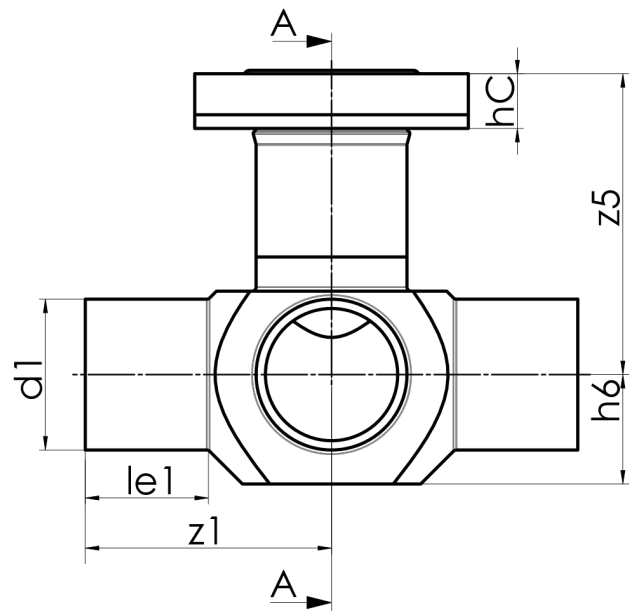


**Flansch-System mit EPDM O-Ring**

Flange-System with EPDM O-Ring  
with special/ or KS-flange connection (PN10/PN16) with plastic coated backing ring  
long spigot for butt- and electrofusion welding  
reinforced

PE100-RC



**SDR 11**



Art. No.	DN [mm]	d1 [mm]	d2 [mm]	le1 [mm]	le2 [mm]	L [mm]	z2 [mm]	h6 [mm]	z5 [mm]	hC [mm]	kg
4351031102250110	80	225	225	130	150	570	300	145	275	40	17,8

other dimensions and pressure classes on request

For questions, please feel free to contact us at: Tel. + 49  
281 98 414 - 0