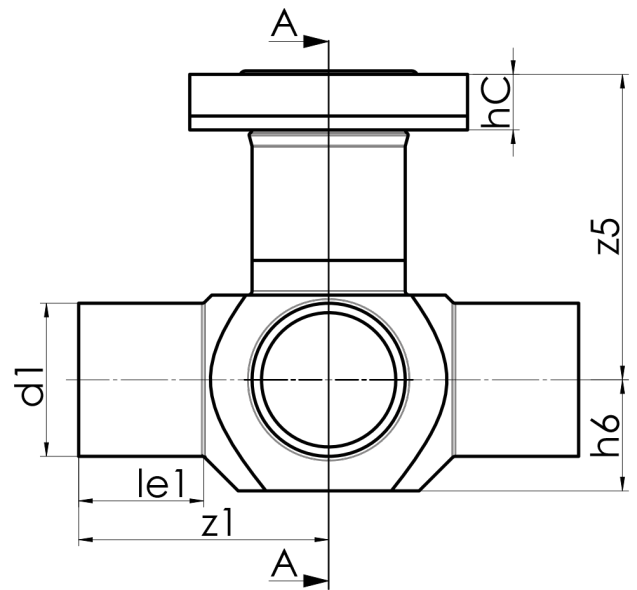


Flansch-System mit EPDM O-Ring

Flange-System with EPDM O-Ring
with special/ or KS-flange connection (PN10/PN16) with plastic coated backing ring
long spigot for butt- and electrofusion welding
reinforced

PE100-RC



SDR 11



Art. No.	DN	d1	d2	le1	le2	z1	z2	h6	z5	hC	kg
	[mm]	[mm]	[mm]	[mm]	[mm]	[mm]	[mm]	[mm]	[mm]	[mm]	
4351331101400080	80	140	140	100	150	205	250	100	240	40	7,8

other dimensions and pressure classes on request

For questions, please feel free to contact us at: Tel. + 49 281
98 414 - 0