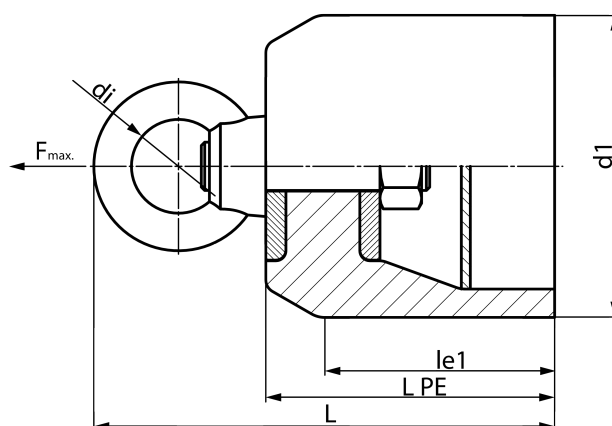
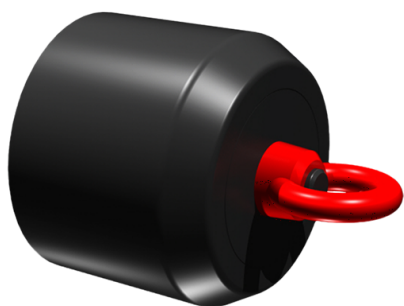


closed version

PE100-RC



**SDR 17**

Art. No.	d1 [mm]	le1 [mm]	le1* [mm]	L [mm]	kg
4361061703150000	315	210	300	402	25,67

The towing rope has to be attached to the pull head using a rotating shackle  
 Special versions, e.g. for swagelining procedure on request  
 other pulling forces on request

For questions, please feel free to contact us at: Tel. + 49 281 98 414 - 0