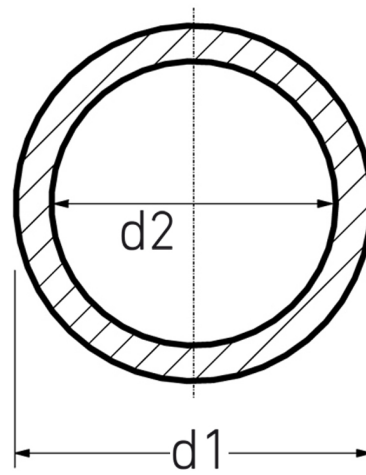
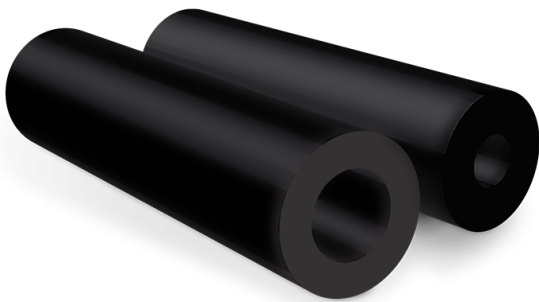


# HOLLOW BAR



standard length 2.000 mm (pre-cut parts on request)  
 fabrication tolerances according to prior agreement

PE100-RC



| Art. No.         | d1<br>[mm] | d2<br>[mm] | kg     |
|------------------|------------|------------|--------|
| 4382000018501370 | 1850       | 1370       | 2330,7 |

Other dimensions and materials on request

For questions, please feel free to contact us at: Tel. + 49 281 98 414 - 0