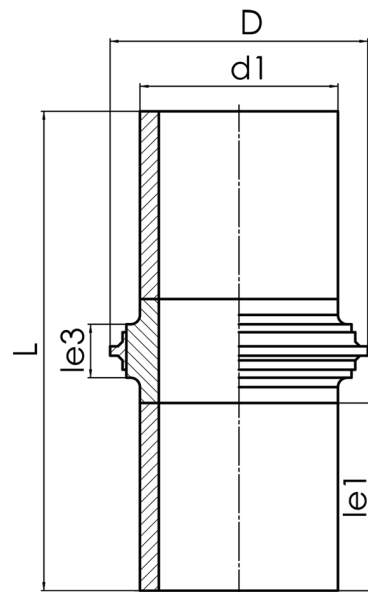


WALL DUCT WATERTIGHT AND PULL RESISTANT



watertight till d 315 mm up to 3 bar, from d 355 mm up to 1 bar

PE100



SDR 17



| Art. No. | d1 [mm] | D [mm] | le1 [mm] | le3 [mm] | L [mm] | kg |
|------------------|------------|-----------|-------------|-------------|-----------|-------|
| 4412341709000000 | 900 | 1055 | 400 | 85 | 1015 | 149,4 |

PP on request
other dimensions and pressure classes on request

For questions, please feel free to contact us at: Tel. + 49 281 98 414 - 0