

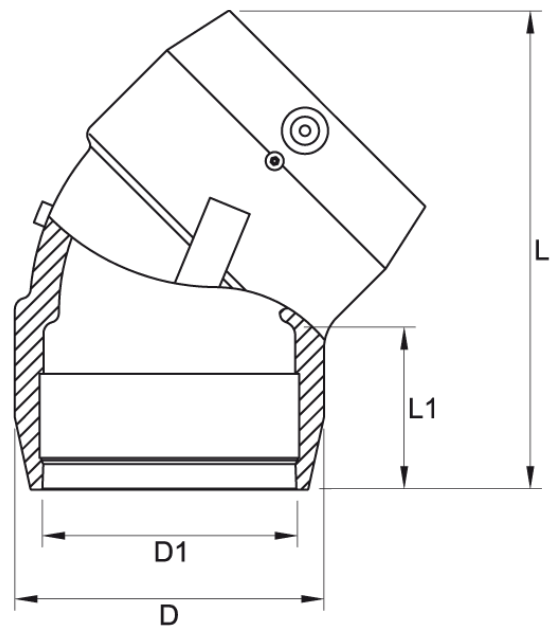
ELECTROFUSION ELBOW



45??

two separate welding zones from d 200 mm
4,0 mm pin

PE100



SDR 11



| Art. No. | d1 [mm] | D [mm] | L [mm] | L1 [mm] | kg |
|------------------|------------|-----------|-----------|------------|-----|
| 4414091102000000 | 200 | 245 | 454 | 104 | 6,8 |

Other materials, dimensions and pressure classes on request

For questions, please feel free to contact us at: Tel. + 49 281 98 414 - 0