

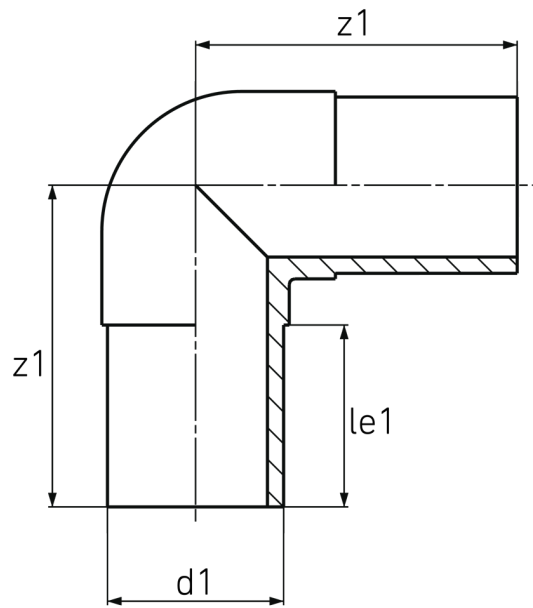
**ELBOW**



90°

long spigot for butt- and electrofusion welding

PE100



**SDR 7,4**



Art. No.	d1 [mm]	le1 [mm]	z1 [mm]	kg
4419020700500000	50	60	89	0,18

Tolerance:  $\alpha \pm 2^\circ$

For questions, please feel free to contact us at: Tel. + 49 281 98 414 - 0