

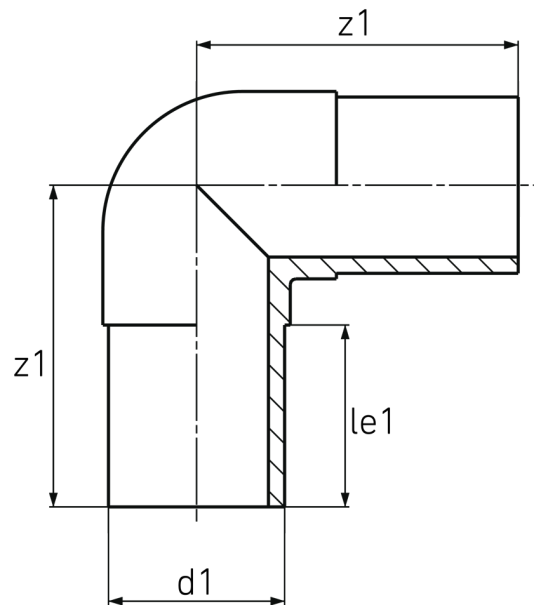
ELBOW



90°

long spigot for butt- and electrofusion welding

PE100



SDR 11



| Art. No. | d1 [mm] | le1 [mm] | z1 [mm] | kg |
|------------------|------------|-------------|------------|-----|
| 4419021100900000 | 90 | 84 | 147 | 0,5 |

Tolerance: $\alpha \pm 5^\circ$

For questions, please feel free to contact us at: Tel. + 49 281 98 414 - 0