

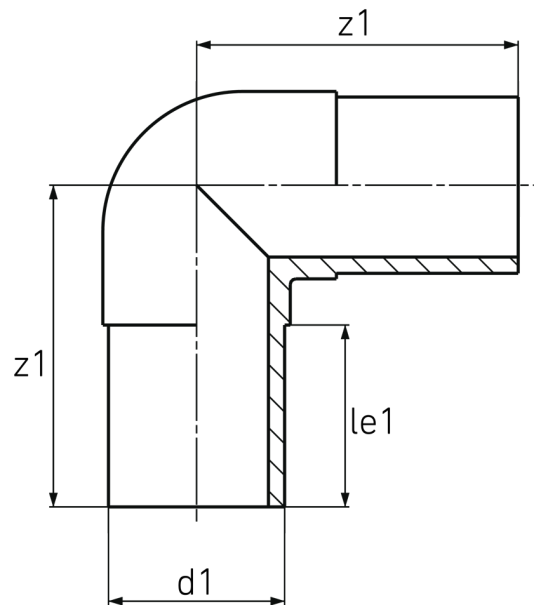
# ELBOW



90°

long spigot for butt- and electrofusion welding

PE100



SDR 17



| Art. No.         | d1<br>[mm] | le1<br>[mm] | z1<br>[mm] | kg  |
|------------------|------------|-------------|------------|-----|
| 4419021700900000 | 90         | 84          | 147        | 0,4 |

Tolerance:  $\alpha \pm 5^\circ$

For questions, please feel free to contact us at: Tel. + 49 281 98 414 - 0