

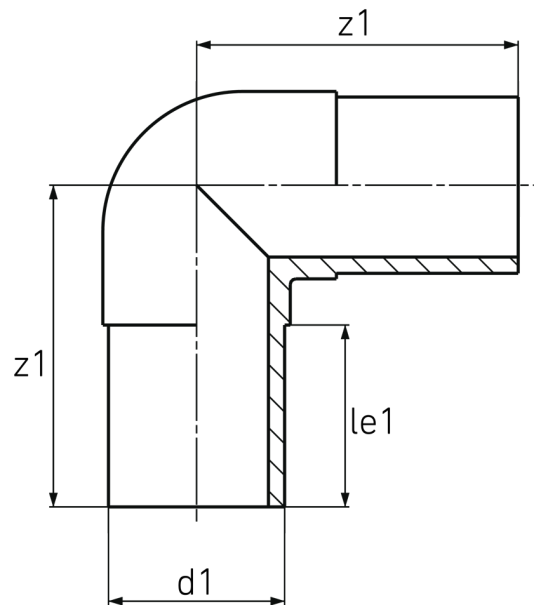
# ELBOW



90°

long spigot for butt- and electrofusion welding

PE100



SDR 17



Art. No.	d1 [mm]	le1 [mm]	z1 [mm]	kg
4419021701600000	160	102	210	2,4

Tolerance:  $\alpha \pm 5^\circ$

For questions, please feel free to contact us at: Tel. + 49 281 98 414 - 0