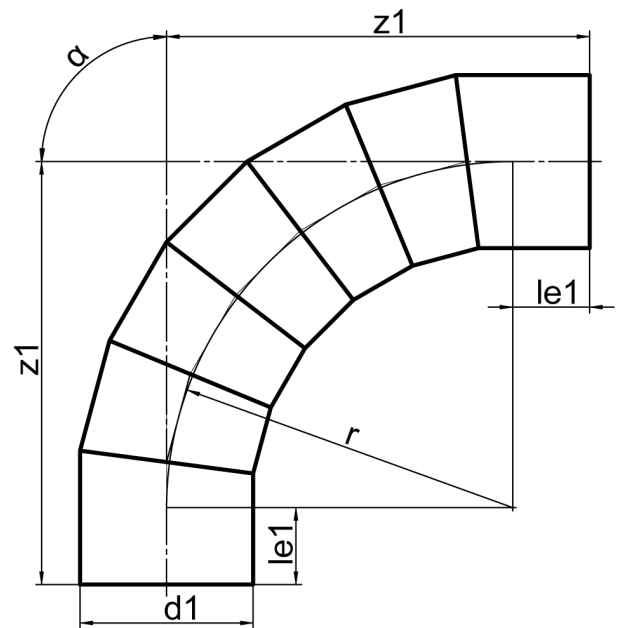
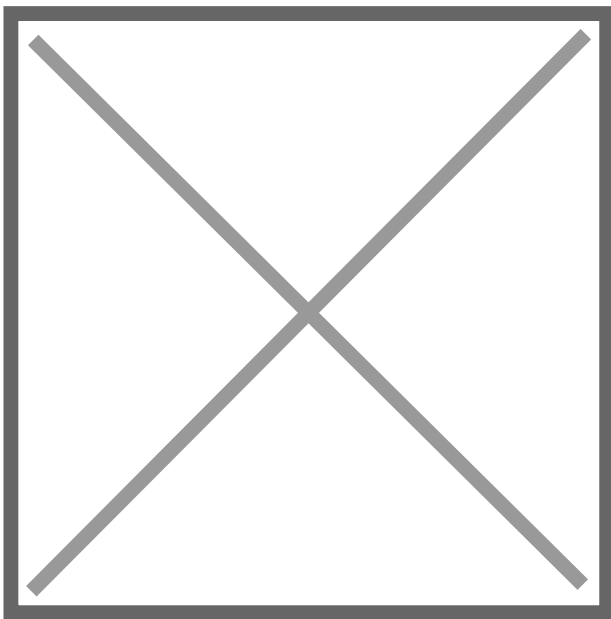


long spigot for butt- and electrofusion welding
welded from pipe

PE100



SDR 11



Art. No.	d1 [mm]	le1 [mm]	z1 [mm]	r [mm]	kg
4419171112000000	1200	400	2500	2100	1461,41

Other materials, dimensions and pressure classes on request
tolerance + / - 2°

For questions, please feel free to contact us at: Tel. + 49 281 98 414 - 0