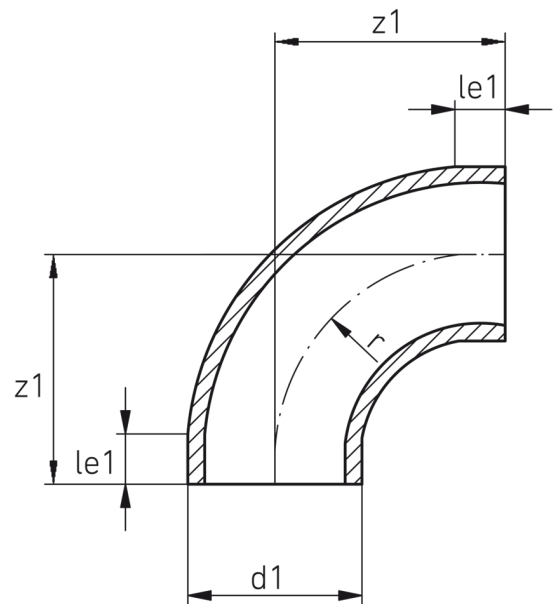


r = 1 x d
 injection moulded
 short spigot for butt welding

PE100



SDR 11



| Art. No. | d1 [mm] | le1 [mm] | z1 [mm] | r [mm] | kg |
|------------------|------------|-------------|------------|-----------|-------|
| 4419901103150000 | 315 | 35 | 350 | 315 | 15,20 |

Other materials on request

For questions, please feel free to contact us at: Tel. + 49 281 98 414 - 0