

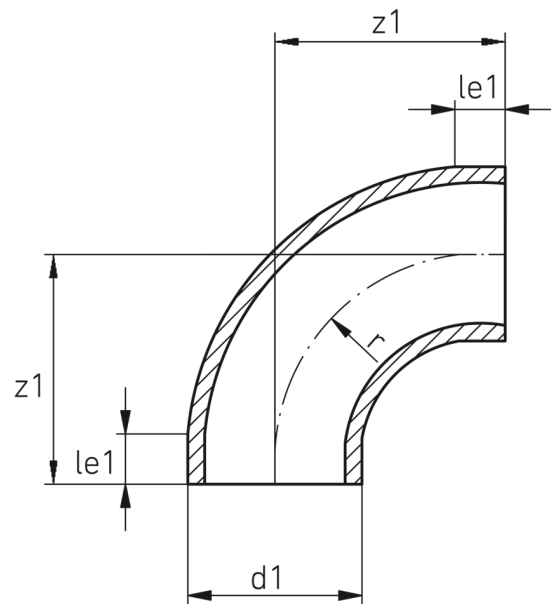
# SEAMLESS BEND



90??

$r = 1 \times d$   
 injection moulded  
 short spigot for butt welding

PE100



## SDR 17



Art. No.	d1 [mm]	le1 [mm]	z1 [mm]	r [mm]	kg
4419901704500000	450	50	450	450	22,9

Other materials on request

For questions, please feel free to contact us at: Tel. + 49 281 98 414 - 0