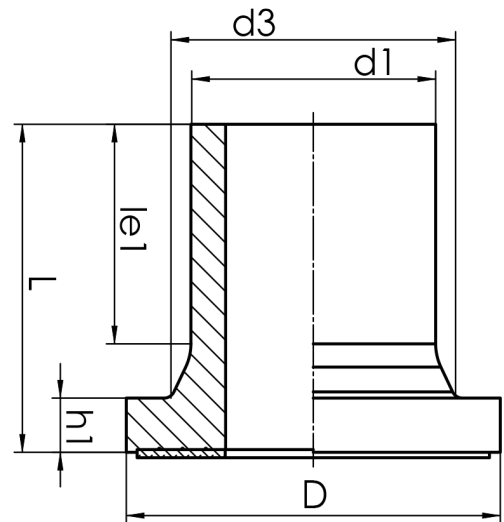


# STUB END



long spigot for butt- and electrofusion welding  
 limited pressure load according to DVS 2210-1 Supplement 3 Part 2.1  
 Design and dimensions according to ISO 9624 and DVS 2205 part 4

PE100



## SDR 7,4



Art. No.	d1 [mm]	d3 [mm]	D [mm]	le1 [mm]	L [mm]	h1 [mm]	kg
4430040700400000	40	50	78	69	94	12	0,1

Other materials and pressure classes on request

For questions, please feel free to contact us at: Tel. + 49 281 98 414 - 0