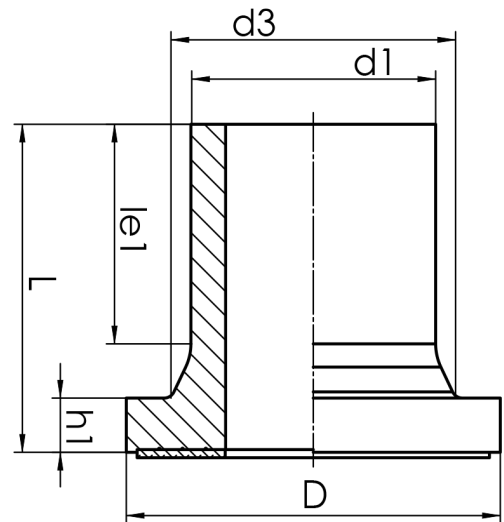


long spigot for butt- and electrofusion welding
 limited pressure load according to DVS 2210-1 Supplement 3 Part 2.1
 Design and dimensions according to ISO 9624 and DVS 2205 part 4
 suitable for loose flange DN200 PN25 according to DIN EN 1092-1

PE100



SDR 7,4



Art. No.	d1 [mm]	d3 [mm]	D [mm]	le1 [mm]	L [mm]	h1 [mm]	kg
4430040702250000	225	235	268	143	209	36	4,2

outer diameter maximized according to ISO 9624
 other materials and pressure classes on request

For questions, please feel free to contact us at: Tel. + 49 281 98 414 - 0