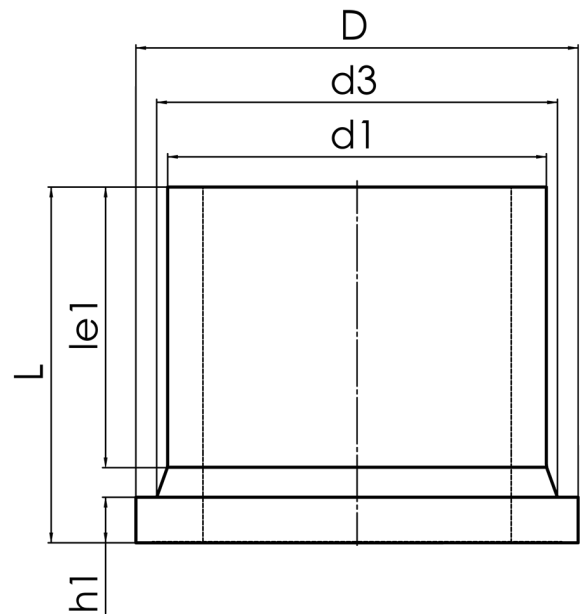


# STUB END



long spigot for butt- and electrofusion welding  
 pressure load according to DVS 2210-1 Supplement 3 Part 2.1

PE100



## SDR 17



Art. No.	d1 [mm]	d3 [mm]	D [mm]	le1 [mm]	L [mm]	h1 [mm]	kg
4430041701250000	125	132	158	93	131	18	0,50

Other materials and pressure classes on request

For questions, please feel free to contact us at: Tel. + 49 281 98 414 - 0