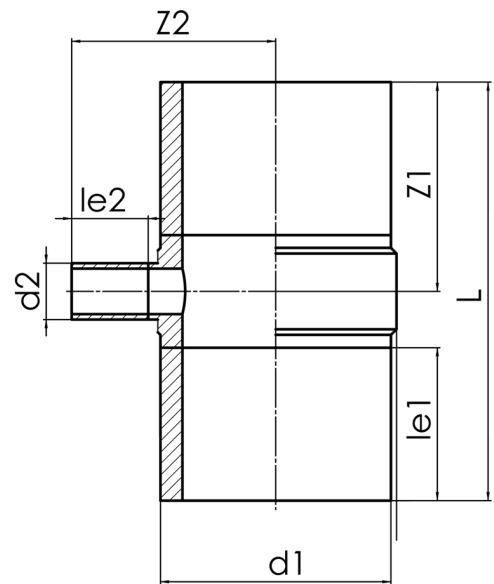


# TEE REDUCED



long spigot for butt- and electrofusion welding

PE100-RC



SDR 7,4



| Art. No.         | d1<br>[mm] | d2<br>[mm] | le1<br>[mm] | le2<br>[mm] | L<br>[mm] | z1<br>[mm] | z2<br>[mm] | kg   |
|------------------|------------|------------|-------------|-------------|-----------|------------|------------|------|
| 4432300701800160 | 180        | 160        | 150         | 150         | 575       | 288        | 271        | 9,29 |

Other materials, dimensions and pressure classes on request

For questions, please feel free to contact us at: Tel. + 49 281 98 414 - 0