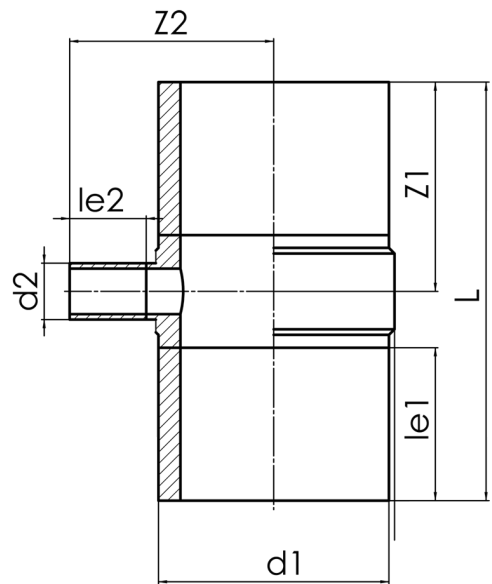


TEE REDUCED



long spigot for butt- and electrofusion welding

PE100



SDR 7,4



| Art. No. | d1 [mm] | d2 [mm] | le1 [mm] | le2 [mm] | L [mm] | z1 [mm] | z2 [mm] | kg |
|------------------|------------|------------|-------------|-------------|-----------|------------|------------|-------|
| 4432300708000400 | 800 | 400 | 350 | 300 | 1255 | 628 | 736 | 322,6 |

Other materials, dimensions and pressure classes on request

For questions, please feel free to contact us at: Tel. + 49 281 98 414 - 0