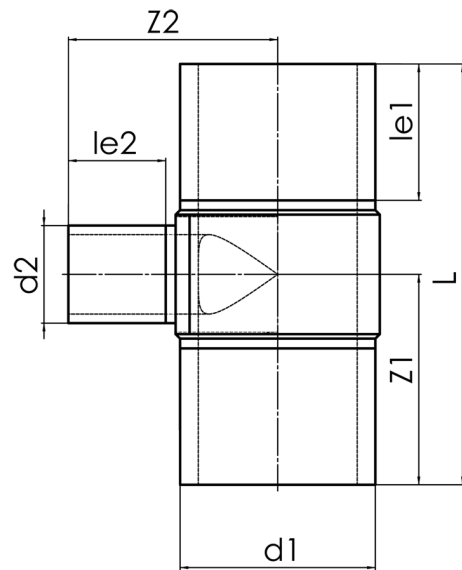
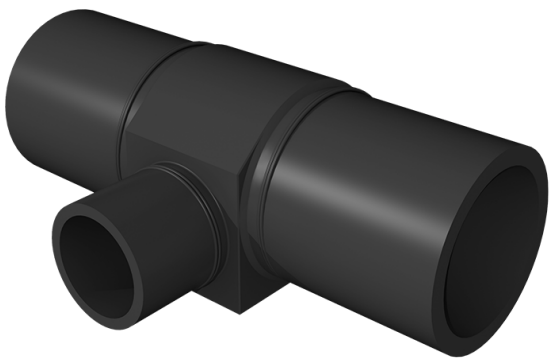


TECHNICAL DATA SHEET
TEE ECCENTRIC



long spigot for butt- and electrofusion welding
 to completely drain the pipeline

PE100



SDR 17



| Art. No. | d1 [mm] | d2 [mm] | le1 [mm] | le2 [mm] | L [mm] | z1 [mm] | z2 [mm] | kg |
|------------------|------------|------------|-------------|-------------|-----------|------------|------------|-------|
| 4432311707100560 | 710 | 560 | 350 | 350 | 1425 | 713 | 745 | 170,7 |

Other materials, dimensions and pressure classes on request

For questions, please feel free to contact us at: Tel. + 49 281 98 414 - 0