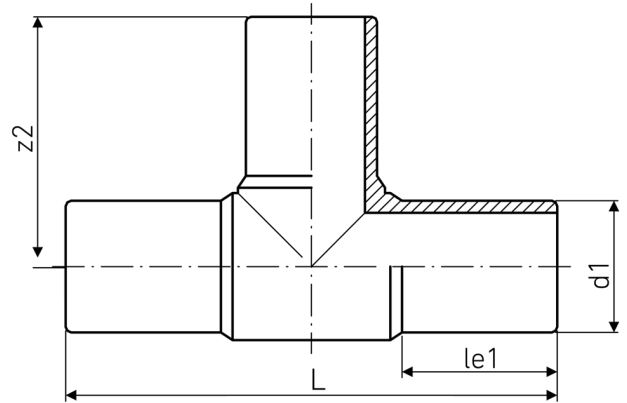
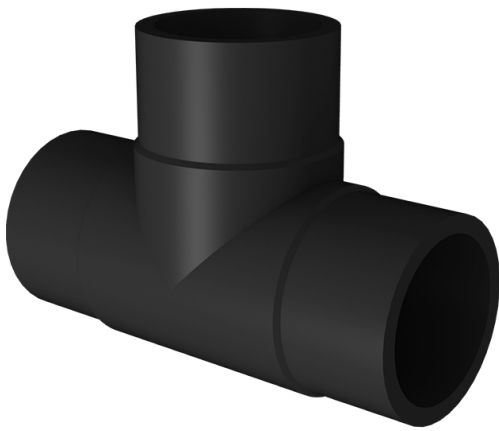


TEE EQUAL



long spigot for butt- and electrofusion welding

PE100



SDR 17



| Art. No. | d1 [mm] | d2 [mm] | le1 [mm] | le2 [mm] | L [mm] | z2 [mm] | kg |
|------------------|------------|------------|-------------|-------------|-----------|------------|------|
| 4432501703550355 | 355 | 355 | 170 | 170 | 820 | 410 | 25,9 |

Other materials and pressure classes on request

For questions, please feel free to contact us at: Tel. + 49 281 98 414 - 0