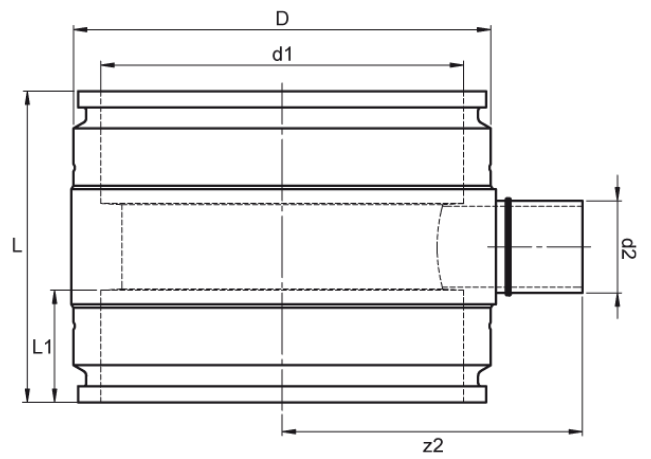


ELECTROFUSION TEE REDUCED



two separate welding zones from d 200 mm
4,0 mm pin

PE100



SDR 11



| Art. No. | d1 [mm] | d2 [mm] | D [mm] | L [mm] | L1 [mm] | z2 [mm] | kg |
|------------------|------------|------------|-----------|-----------|------------|------------|----|
| 4432601101250063 | 125 | 63 | 157 | 266 | 79 | 500 | 3 |

Other materials, dimensions and pressure classes on request

For questions, please feel free to contact us at: Tel. + 49 281 98 414 - 0