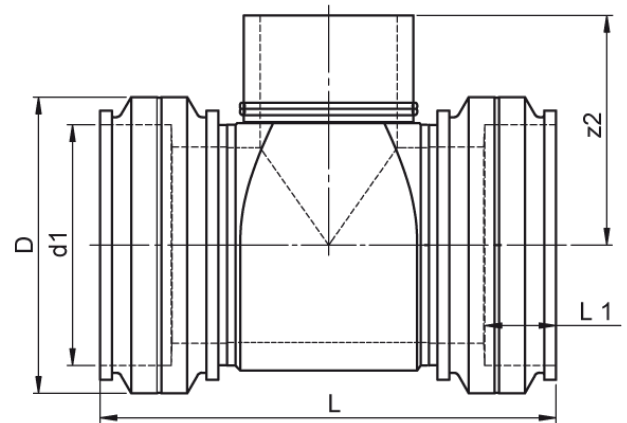


ELECTROFUSION TEE REDUCED



two separate welding zones
4,0 mm pin

PE100



SDR 17



Art. No.	d1 [mm]	d2 [mm]	D [mm]	le2 [mm]	L [mm]	L1 [mm]	z2 [mm]	kg
4432701709000710	900	710	1035	350	1650	260	350	360,7

Other materials, dimensions and pressure classes on request

For questions, please feel free to contact us at: Tel. + 49 281 98 414 - 0