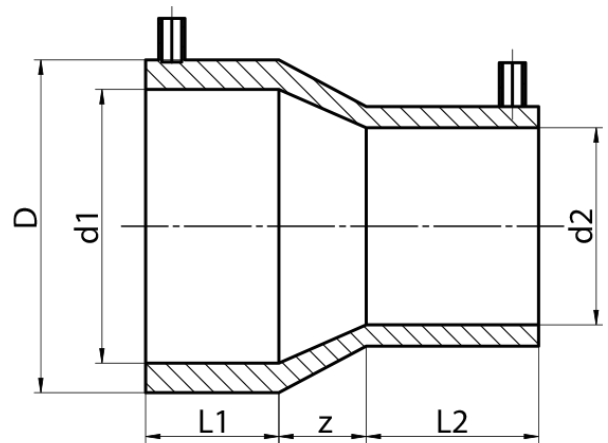


two separate welding zones from d 200 mm
4,0 mm pin

PE100



SDR 11



| Art. No. | d1 [mm] | d2 [mm] | D1 [mm] | D2 [mm] | L [mm] | L1 [mm] | L2 [mm] | kg |
|------------------|------------|------------|------------|------------|-----------|------------|------------|-----|
| 4434501100630050 | 63 | 50 | 78 | 62 | 102 | 52 | 48 | 0,2 |

Other materials, dimensions and pressure classes on request

For questions, please feel free to contact us at: Tel. + 49 281 98 414 - 0