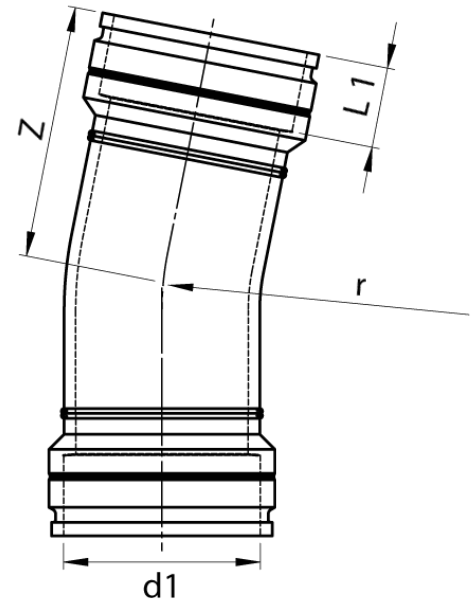


$r \approx 1,5 \times d$   
 two separate welding zones  
 4,0 mm pin

PE100



**SDR 11**



Art. No.	d1 [mm]	L1 [mm]	z1 [mm]	r [mm]	kg
4436111108000000	800	235	745	1274	312,7

tolerance:  $\alpha \pm 5^\circ$  |  $z1 \pm 50$  mm

Other materials, dimensions and pressure classes on request

For questions, please feel free to contact us at: Tel. + 49 281 98 414 - 0