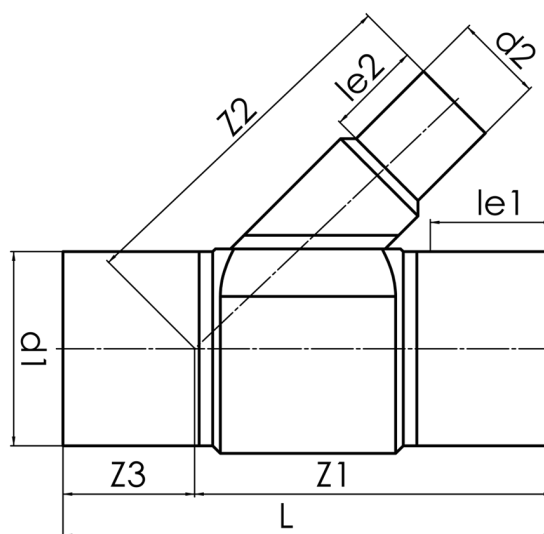


long spigot for butt- and electrofusion welding

PE100-RC



SDR 17



| Art. No. | d1 [mm] | d2 [mm] | le1 [mm] | le2 [mm] | L [mm] | z1 [mm] | z2 [mm] | z3 [mm] | kg |
|------------------|------------|------------|-------------|-------------|-----------|------------|------------|------------|-------|
| 4442811707100225 | 710 | 225 | 350 | 120 | 1245 | 1014 | 865 | 231 | 134,5 |

Other materials, dimensions and pressure classes on request

For questions, please feel free to contact us at: Tel. + 49 281 98 414 - 0