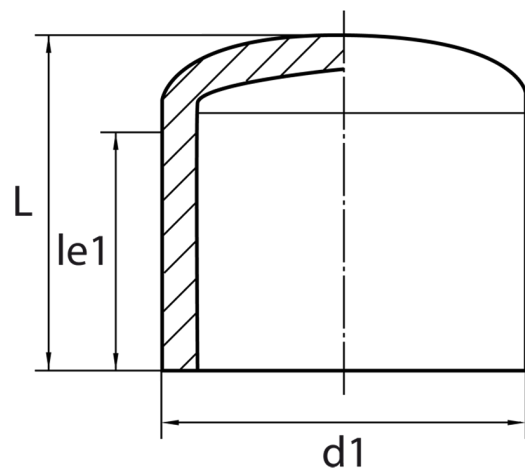
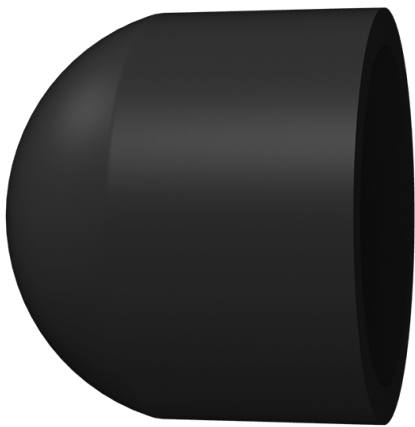


long spigot for butt- and electrofusion welding

PE100



SDR 11



Art. No.	d1 [mm]	le1 [mm]	L [mm]	kg
4445011102500000	250	132	179	3,4

Other materials and pressure classes on request

For questions, please feel free to contact us at: Tel. + 49 281 98 414 - 0