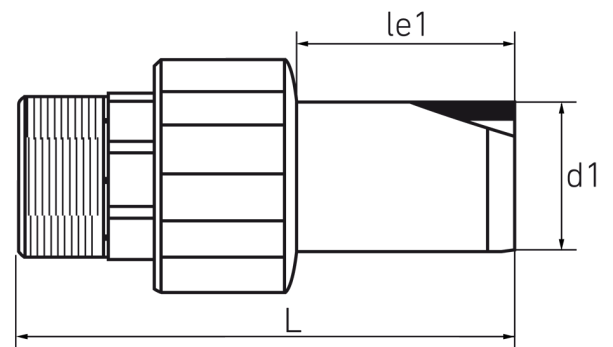
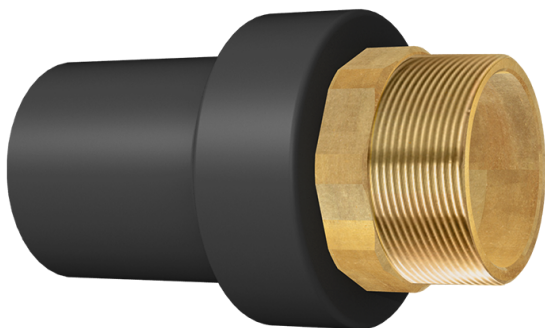


male thread

PE100



SDR 11



Art. No.	d1 [mm]	le1 [mm]	L [mm]	kg
4450401100320000	32	56	106	0,3

For questions, please feel free to contact us at: Tel. + 49 281 98 414 - 0