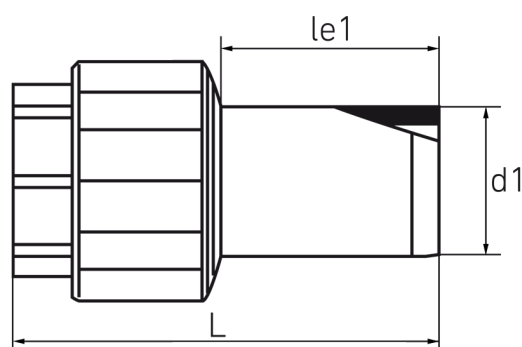
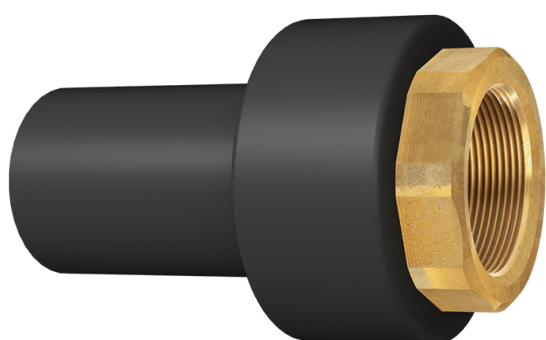


female thread

PE100



**SDR 11**



Art. No.	d1 [mm]	Rp [mm]	le1 [mm]	L [mm]	kg
4450401100630200	63	2"	66	120	0,8

For questions, please feel free to contact us at: Tel. + 49 281 98 414 - 0