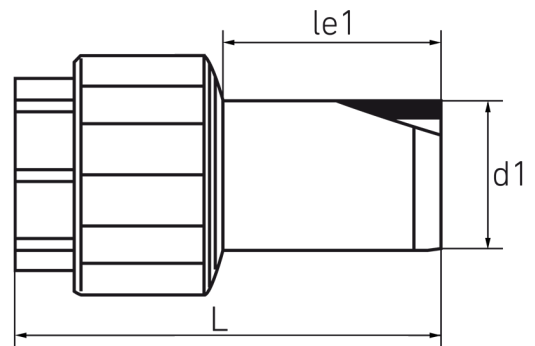
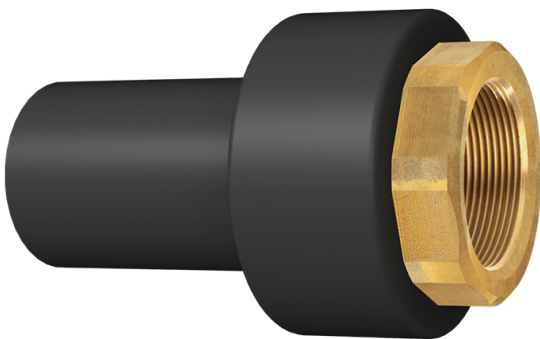


female thread

PE100



SDR 11



Art. No.	d1 [mm]	Rp [mm]	le1 [mm]	L [mm]	kg
4450411100200012	20	??"	41	79	0,1

For questions, please feel free to contact us at: Tel. + 49 281 98 414 - 0