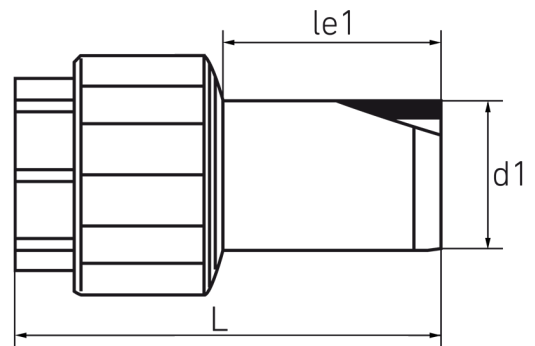


# TRANSITION FITTING PE/ BRASS



female thread

PE100



## SDR 11



Art. No.	d1 [mm]	Rp [mm]	le1 [mm]	L [mm]	kg
4450411100500112	50	1??"	57	102	0,5

For questions, please feel free to contact us at: Tel. + 49 281 98 414 - 0